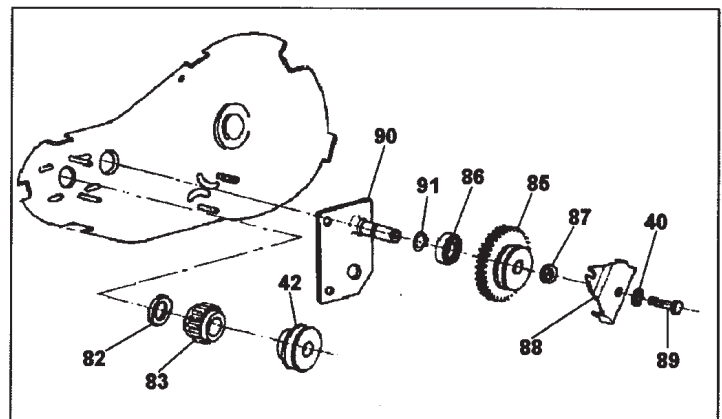
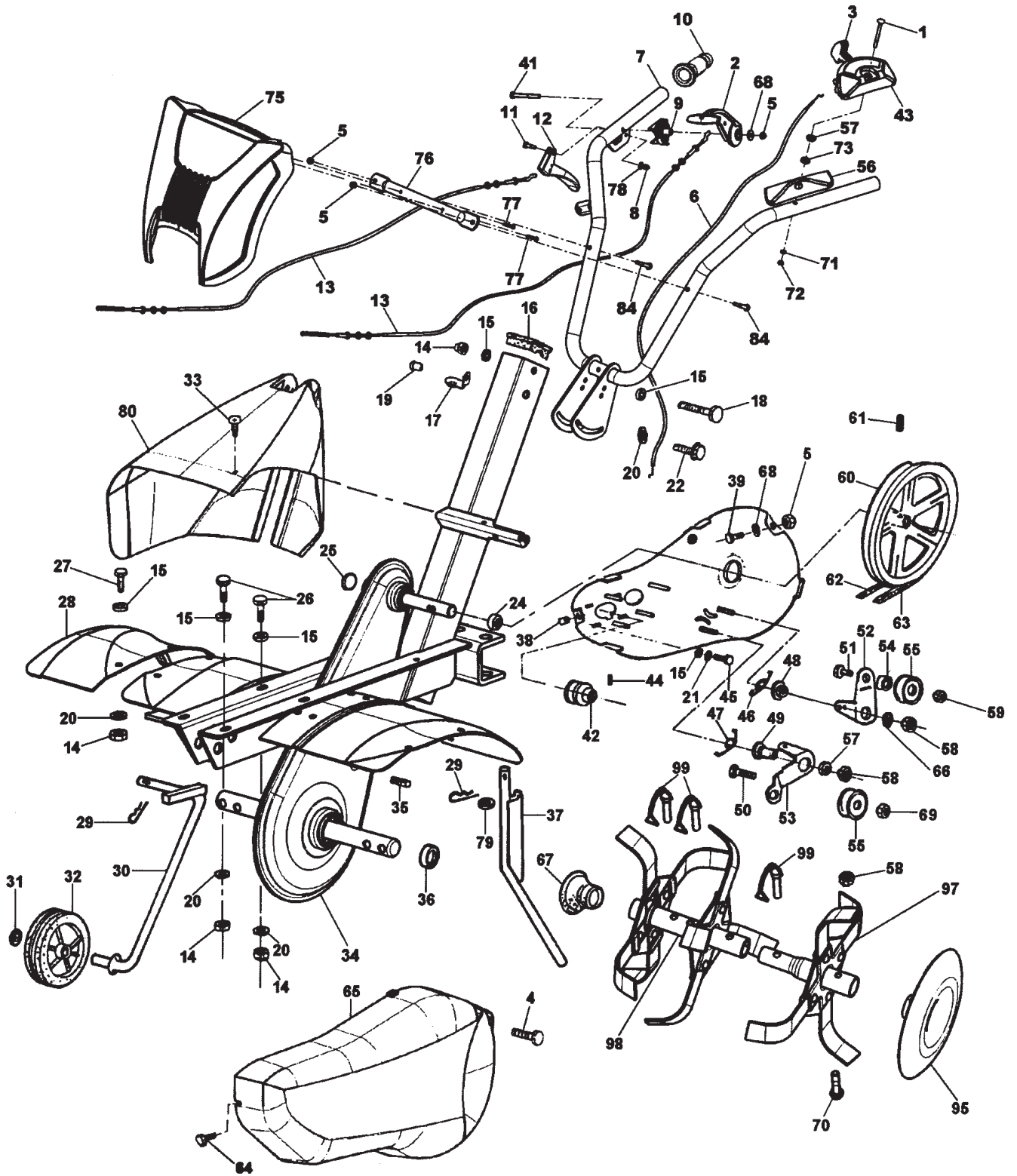
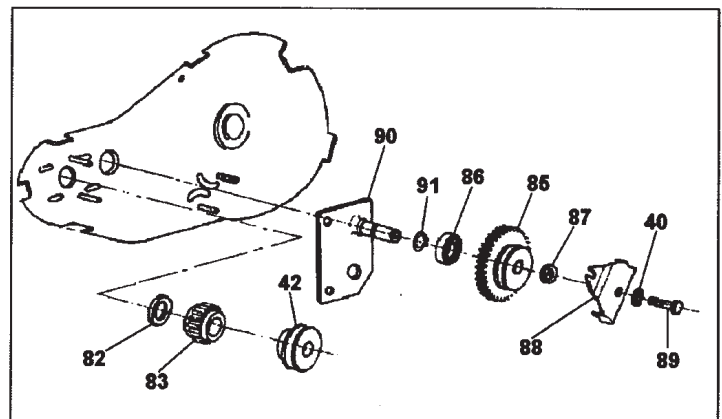
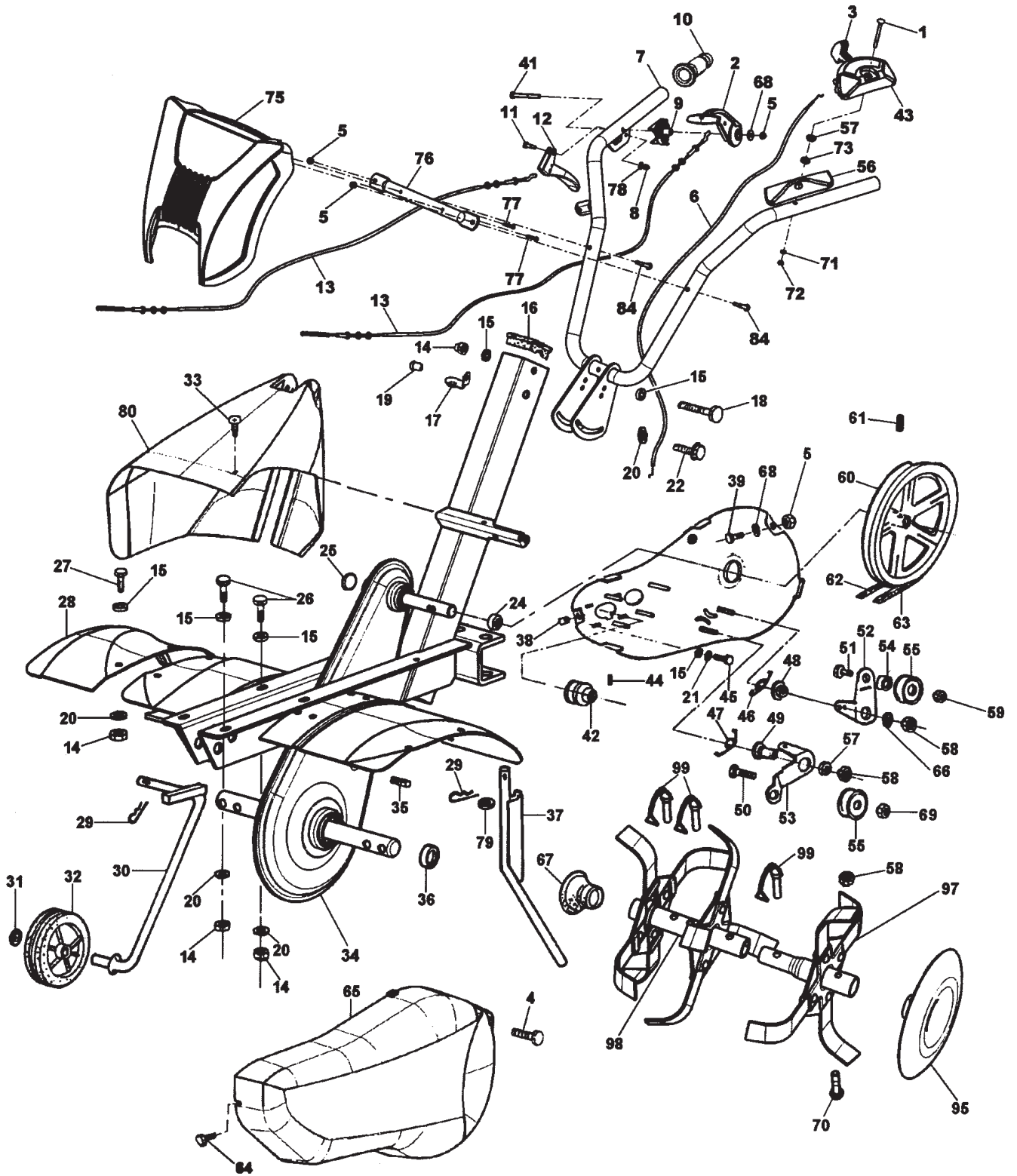


Genuine Spare Parts





Utgåva Issue 2008- 12		Bildnr Picture No 2423		SILEX 75- G SILEX 75R- B SILEX 75R- H JORDFRÄS		SILEX 75- G SILEX 75R- B SILEX 75R- H TILLERS		Sida Page 236	
Pos. Fig.	Antal/Quantity			Art nr Part No	Benämning	Description	Sats Kit	Anmärkning Notes	
	3131 -11	3132 -11	3133 -11						
	1	1	1	9898-0855-12	Skruv	Screw.....			
	2	1	1	1483-2017-01	Kopplingshandtag- back	Clutch lever- reverse			
	3	1	1	81007279/1	Gasarm.....	Throttle lever.....			
	4	1	1	9959-0616-16	Skruv	Screw.....			
	5	4	4	9747-0631-02	Låsmutter	Lock nut.....			
X	6		1	1483-2165-01	Gaswire	Throttle cable			
X	6	1		1483-2181-01	Gaswire	Throttle cable			
X	6		1	1483-2311-01	Gaswire	Throttle cable			
X	7		1	1483-2163-01	Styre- överdel	Handlebar- upper			
X	7	1		1483-2164-01	Styre- överdel	Handlebar- upper			
	8	1	1	9747-0531-02	Mutter.....	Nut.....			
	9		1	1483-2018-01	Stöd.....	Reverse lever support.....			
X	10	2	2	1483-2079-01	Handtagsgrepp	Handgrip			
	11	1	1	1483-2005-01	Skruv	Screw.....			
	12	1	1	1483-2008-01	Kopplingshandtag.....	Clutch handle.....			
X	13	1	2	1483-2162-01	Reglagewire.....	Control cable.....			
	14	9	9	9747-0831-02	Mutter.....	Lock nut.....			
	15	16	16	9699-0028-02	Planbricka.....	Flat washer.....			
X	16	1	1	1483-2166-01	Lock.....	Cap.....			
	17	1	1	1483-2021-01	Vinkelfäste	Wire support plate			
	18	1	1	9997-0865-12	Skruv	Screw.....			
X	19	2	2	1483-2191-01	Mutter.....	Nut.....			
	20	9	9	9699-0122-02	Bricka	Washer.....			
	21	4	4	9699-0028-02	Planbricka.....	Flat washer.....			
	22	2	2	9959-0825-16	Skruv	Screw.....			
X	24	1	1	1483-2187-01	Tätningring	Seal ring.....			
X	25	1	1	1483-2186-01	Lock.....	Cap.....			
	26	4	4	9997-0840-16	Skruv	Screw.....			
	27	4	4	9997-0820-16	Skruv	Screw.....			
X	28	1	1	1483-2171-01	Skyddsplåt- hö, gul.....	Guard plate- RH, yello			
X	28	1	1	1483-2171-02	Skyddsplåt- hö, röd	Guard plate- RH, red			
X	28	1	1	1483-2172-01	Skyddsplåt- vä, gul	Guard plate- LH, yello.....			
X	28	1	1	1483-2172-02	Skyddsplåt- vä, röd.....	Guard plate- LH, red.....			
	29	2	2	9598-0002-02	Låsnål.....	Pin lock.....			
X	30	1	1	1483-2168-01	Stödhjulsfäste.....	Support wheel brkt.....			
X	31	1	1	1483-2195-01	Låsbricka	Lock washer.....			
X	32	1	1	1483-2112-01	Stödhjul.....	Support wheel.....			
	33	1	1	9943-0625-16	Skruv	Screw.....			
X	34	1	1	1483-2156-01	Växelhus kpl- gul	Gear housing- yellow.....			
X	34	1	1	1483-2156-02	Växelhus kpl- röd	Gear housing- red			
	35	1	1	1483-2075-01	Lock.....	Cap.....			
	36	2	2	1483-2070-01	Tätningring	Seal ring.....			
X	37	1	1	1483-2167-01	Bromssporre	Depth skid.....			
X	38	1	1	1483-2190-01	Mutter.....	Nut.....			
	39	1	1	9997-0616-16	Skruv	Screw.....			
	40		1	9683-0025-02	Låsbricka	Lock washer.....			
	41		1	9997-0660-12	Skruv	Screw.....			
X	42	1	1	1483-2174-01	Remskiva.....	Belt pulley			
X	43	1	1	322981740/1	Gasreglagehus.....	Throttle box.....			
	44	1	1	9915-0610-15	Stoppskruv	Set screw			
	45		4	9987-5116-16	Skruv	Screw.....			
X	46		1	1483-2158-01	Fjäder.....	Spring.....			
X	47	1	1	1483-2157-01	Fjäder.....	Spring.....			
X	48		1	1483-2153-01	Distans	Spacer.....			
X	49	1	1	1483-2152-01	Distans	Spacer.....			
	50	1	1	1483-2076-01	Skruv	Screw.....			
X	51		1	9997-1235-16	Skruv	Screw.....			
X	52		1	1483-2154-01	Spännarm	Tension arm			
X	53	1	1	1483-2155-01	Spännarm	Tension arm			
X	54		1	1483-2151-01	Distans	Spacer.....			
	55	1	2	1483-2004-01	Spännrulle	Idler pulley			
	56	1	1	22171006/0	Distans	Spacer.....			
	57	2	2	9699-0035-02	Planbricka.....	Flat washer.....			



Utgåva Issue 2008- 12		Bildnr Picture No 2423		SILEX 75- G SILEX 75R- B SILEX 75R- H JORDFRÄS		SILEX 75- G SILEX 75R- B SILEX 75R- H TILLERS		Sida Page 238	
Pos. Fig.	Antal/Quantity			Art nr Part No	Benämning	Description	Sats Kit	Anmärkning Notes	
	3131 -11	3132 -11	3133 -11						
	58	4	4	4	9747- 1031- 02	Låsmutter	Lock nut		
	59		1	1	9747- 1231- 02	Låsmutter	Lock nut		
X	60	1	1	1	1483- 2150- 01	Remskiva	Belt pulley		
X	61	1	1	1	9595- 0277- 01	Spännstift	Pin		
X	62		1	1	1483- 2141- 01	Drivrem	Drive belt.....		
X	63	1	1	1	1483- 2149- 01	Drivrem	Drive belt.....		
	64	1	1	1	9959- 0616- 16	Skruv	Screw.....		
X	65	1	1	1	1483- 2159- 01	Remskydd	Belt guard		
	66		1	1	1483- 2020- 01	Distans	Spacer		
X	67	2	2	2	1483- 2173- 01	Dammskydd	Dust cover.....		
	68	2	2	2	9699- 0100- 02	Bricka	Washer.....		
X	69	1	1	1	1483- 2193- 01	Mutter.....	Nut		
	70	2	2	2	9997- 1050- 16	Skruv.....	Screw.....		
	71	1	1	1	9699- 0024- 02	Planbricka.....	Flat washer.....		
	72	1	1	1	9799- 0531- 02	Mutter.....	Nut		
	73	1	1	1	12508100/0	Låsbricka.....	Washer.....		
X	75	1	1	1	1483- 2182- 01	Panel- gul.....	Panel- yellow		
X	75	1	1	1	1483- 2182- 02	Panel- röd.....	Panel- red.....		
X	76	1	1	1	1483- 2180- 01	Panelstag.....	Panel bracket		
X	77	2	2	2	1483- 2200- 01	Skruv.....	Screw.....		
	78	1	1	1	9699- 0025- 02	Planbricka.....	Washer.....		
	79	1	1	1	9699- 0104- 02	Bricka	Washer.....		
X	80	1		1	1483- 2160- 01	Kåpa- gul	Cover- yellow		
X	80	1		1	1483- 2160- 02	Kåpa- röd	Cover- red		
X	80		1		1483- 2161- 01	Kåpa- gul	Cover- yellow		
X	80		1		1483- 2161- 02	Kåpa- röd	Cover- red		
X	82		1	1	1483- 2117- 01	Distans	Spacer		
X	83		1	1	1483- 2176- 01	Kuggjul	Toothed wheel.....		
	84	2	2	2	9997- 0635- 12	Skruv	Screw.....		
X	85		1	1	1483- 2175- 01	Kuggjul	Toothed wheel.....		
	86		1	1	9549- 0001- 00	Kullager	Ball bearing		
X	87		1	1	1483- 2145- 01	Distans	Spacer		
X	88		1	1	1483- 2147- 01	Fäste	Bracket		
	89		1	1	9997- 0612- 16	Skruv	Screw.....		
X	90		1	1	1483- 2146- 01	Monteringsplatta	Mounting plate.....		
	91		1	1	9650- 0012- 04	Seegersäkring.....	Circlip.....		
	95	2	2	2	1483- 2022- 01	Sidotallrik	Side disc		
X	97	1	1	1	1483- 2169- 01	Rotor kpl- yttre, hö	Tine assy- outer, RH		
X	97	1	1	1	1483- 2170- 01	Rotor kpl- yttre, vä	Tine assy- outer, LH		
	98	1	1	1	1483- 2023- 01	Rotor kpl- hö.....	Tine assy- RH		
	98	1	1	1	1483- 2024- 01	Rotor kpl- vä.....	Tine assy- LH		
X	99	2	2	2	1483- 2196- 01	Låssprint	Pin		